

## DESCRIPTION

AMC MODEL SW-2560-7D IS A REFLECTIVE SINGLE POLE SEVEN THROW SWITCH MODULE WITH INTEGRAL TTL DRIVER, DESIGNED TO MAINTAIN LOW HARMONIC RF CONTENTS, GOOD PHASE AND AMPLITUDE BALANCE, AND HIGH ISOLATION. APPLICATIONS ARE FOR HIGHLY SENSITIVE LOW-NOISE RADARS AND MISSILE SYSTEMS.

## SPECIFICATIONS

- FREQUENCY RANGE: ..... 1.215 TO 1.400 GHz
- INSERTION LOSS: ..... 1.5 dB MAXIMUM
- INSERTION LOSS MATCH  
PORT TO PORT: ..... 0.2 dB MAXIMUM
- ISOLATION: ..... 43 dB MINIMUM
- VSWR: ..... 1.9:1 MAXIMUM
- SWITCHING TIME: ..... DELAY ON (50% RRL TO 90% RF) 1 uSec MAXIMUM  
..... DELAY OFF (50% RRL TO 90% RF) 1 uSec MAXIMUM
- RF POWER RATINGS: ..... +27 dBm CW MAXIMUM
- HARMONIC CONTENTS:  
2nd HARMONIC INTERCEPT: ..... +56 dBm MINIMUM  
2nd ORDER TWO-TONE INTERCEPT: ..... +50 dBm MINIMUM  
..... @ 0 dBm INPUT RF POWER  
3rd ORDER TWO-TONE INTERCEPT: ..... +40 dBm MINIMUM  
..... @ 0 dBm INPUT RF POWER
- RF LEAKAGE (CONDUCTIVE/RADIATED): ..... > 70 dBc @ 2.56 GHz
- CONTROL: ..... 3 BIT BINARY TTL LOGIC  
(SEE TRUTH TABLE)
- POWER SUPPLY: ..... +20VDC @ 215 mA MAXIMUM  
..... -20VDC @ 35 mA MAXIMUM
- CONNECTORS:  
RF INPUT/OUTPUT: ..... SMA (FEMALE)  
POWER AND CONTROLS: ..... 15 PIN D TYPE CONNECTOR
- SIZE: ..... 3.0" (L) x 2.0" (W) x 1.5" (H)

## AVAILABLE OPTIONS

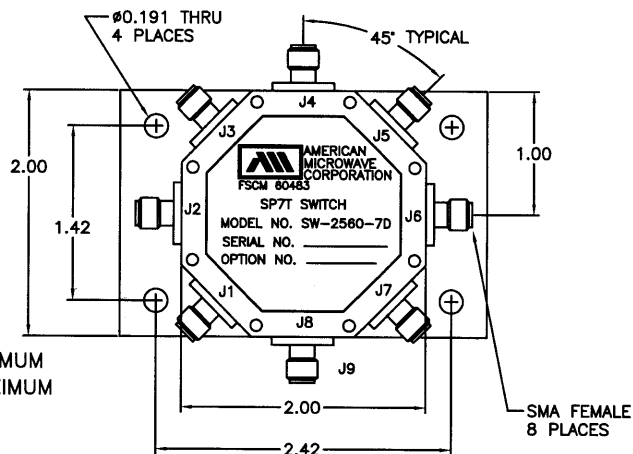
- A01: ..... SMA MALE CONNECTORS
- A02: ..... 7 INDIVIDUAL CONTROLS
- A03: ..... DIFFERENTIAL TTL LINE RECEIVER/DECODER (RS-422-A)
- A04: ..... INVERSE CONTROL LOGIC

## ENVIRONMENTAL RATINGS:

- TEMPERATURE: ..... -55°C TO +95°C (OPERATING)  
..... -65°C TO +125°C (STORAGE)
- HUMIDITY: ..... MIL-STD-202F, METHOD 103B COND. B
- SHOCK: ..... MIL-STD-202F, METHOD 213B COND. B
- VIBRATION: ..... MIL-STD-202F, METHOD 204D COND. B
- ALTITUDE: ..... MIL-STD-202F, METHOD 105C COND. B
- TEMPERATURE CYCLE: ..... MIL-STD-202F, METHOD 107D COND. A

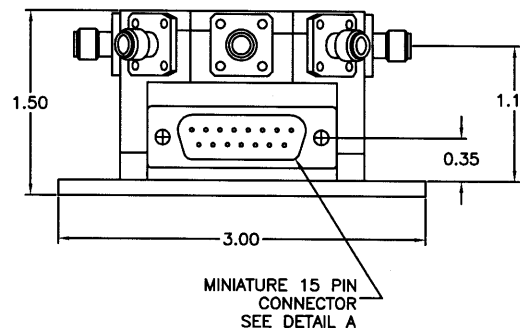
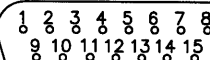
NOTE: SPECIFICATIONS WILL VARY OVER OPERATING TEMPERATURE  
NOTE: THE ABOVE SPECIFICATIONS ARE SUBJECT TO CHANGE OR REVISION

REVISIONS				
ZONE	REV.	DESCRIPTION	DATE	APPROVED
	-	ORIGINAL RELEASE	JOB# 107134	11/22/92



PINOUT TABLE	
PIN NUMBER	FUNCTION
1	N/C
2	CTL A-
3	CTL B-
4	CTL C-
5	CASE GND
6	CASE GND
7	N/C
8	N/C
9	CTL A+
10	CTL B+
11	CTL C+
12	+20 VDC
13	-20 VDC
14	N/C
15	N/C

### DETAIL A



TRUTH TABLE			
RF PATH	E2	E1	E0
J8-J1	L	L	L
J8-J2	L	L	H
J8-J3	L	H	L
J8-J4	L	H	H
J8-J5	H	L	L
J8-J6	H	L	H
J8-J7	H	H	L
L=0-0.8 VDC			
H=2.4-5.0 VDC			

## AMERICAN MICROWAVE CORPORATION

7311-G GROVE ROAD  
FREDERICK, MARYLAND 21704 USA  
TEL: 301-662-4700 FAX: 301-662-4938  
WEBSITE: [www.americamicrowavecorp.com](http://www.americamicrowavecorp.com)  
E-MAIL: [sales@americamicrowavecorp.com](mailto:sales@americamicrowavecorp.com)  
ISO 9001:2000 CERTIFIED



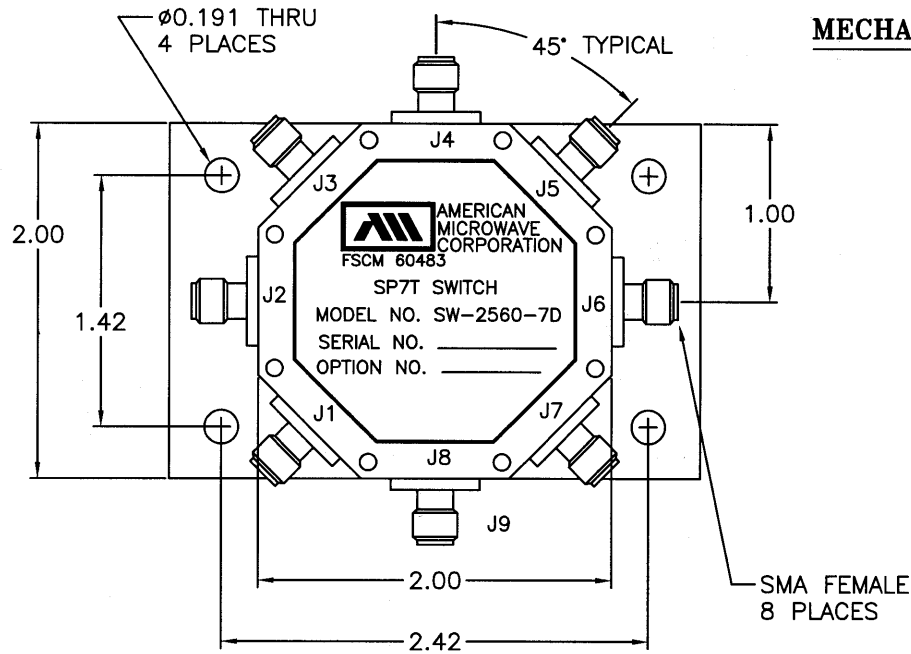
ALL DIMENSIONS ARE IN INCHES  
TOLERANCES:  
X.XX ±0.020  
X.XXX ±0.010

APPROVALS		DATE	TITLE		
DRAWN	WSP	11/22/92	PRODUCT FEATURE		
REDRAWN	JDJ	3/22/05	SW-2560-7D		
ISSUED			1.215-1.400 GHz, SINGLE POLE SEVEN THROW SWITCH		
			SIZE	FSCM NO.	DWG NO.
			A	60483	100-2865
			SCALE	N:S	
			SHEET		1 OF 3

# DESCRIPTION

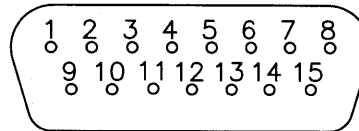
AMC MODEL SW-2560-7D IS A REFLECTIVE SINGLE POLE SEVEN THROW SWITCH MODULE WITH INTEGRAL TTL DRIVER, DESIGNED TO MAINTAIN LOW HARMONIC RF CONTENTS, GOOD PHASE AND AMPLITUDE BALANCE, AND HIGH ISOLATION. APPLICATIONS ARE FOR HIGHLY SENSITIVE LOW-NOISE RADARS AND MISSILE SYSTEMS.

ZONE		REV.	DESCRIPTION	DATE	APPROVED
		-	ORIGINAL RELEASE JOB# 107134	11/22/92	



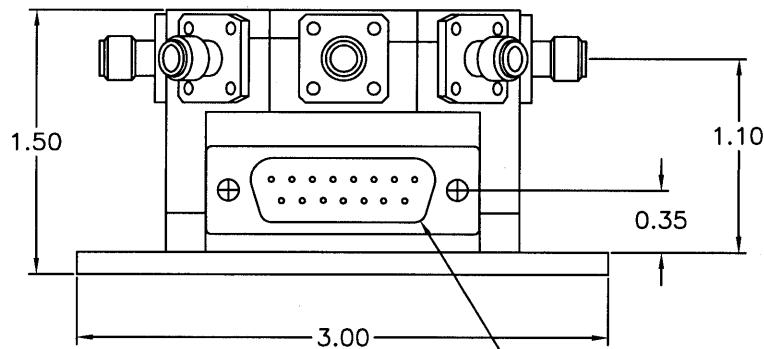
## MECHANICAL OUTLINE

### DETAIL A



PINOUT TABLE	
PIN NUMBER	FUNCTION
1	N/C
2	CTL A-
3	CTL B-
4	CTL C-
5	CASE GND
6	CASE GND
7	N/C
8	N/C
9	CTL A+
10	CTL B+
11	CTL C+
12	+20 VDC
13	-20 VDC
14	N/C
15	N/C

TRUTH TABLE			
RF PATH	E2	E1	E0
J8-J1	L	L	L
J8-J2	L	L	H
J8-J3	L	H	L
J8-J4	L	H	H
J8-J5	H	L	L
J8-J6	H	L	H
J8-J7	H	H	L
L=0-0.8 VDC			
H=2.4-5.0 VDC			



MINIATURE 15 PIN  
CONNECTOR  
SEE DETAIL A

ALL DIMENSIONS ARE IN INCHES  
TOLERANCES:  
X.XX ±0.020  
X.XXX ±0.010

## AMERICAN MICROWAVE CORPORATION

7311-G GROVE ROAD  
FREDERICK, MARYLAND 21704 USA  
TEL: 301-662-4700 FAX: 301-662-4938  
WEBSITE: [www.americanmicrowavecorp.com](http://www.americanmicrowavecorp.com)  
E-MAIL: [sales@americanmicrowavecorp.com](mailto:sales@americanmicrowavecorp.com)  
ISO 9001:2000 CERTIFIED



APPROVALS		DATE	TITLE		
DRAWN <i>WSP</i>		11/22/92	MECHANICAL OUTLINE		
REDRAWN <i>JDJ</i>		3/22/05	SW-2560-7D		
ISSUED			1.215-1.400 GHz, SINGLE POLE SEVEN THROW SWITCH		
SIZE	FSCM NO.	DWG NO.	REV.		
A	60483	100-2865	-		
SCALE N:S			SHEET 2 OF 3		